

Jogger Unit Type 1075  
(B513)

## **Jogger Unit Type 1075 (B513)**

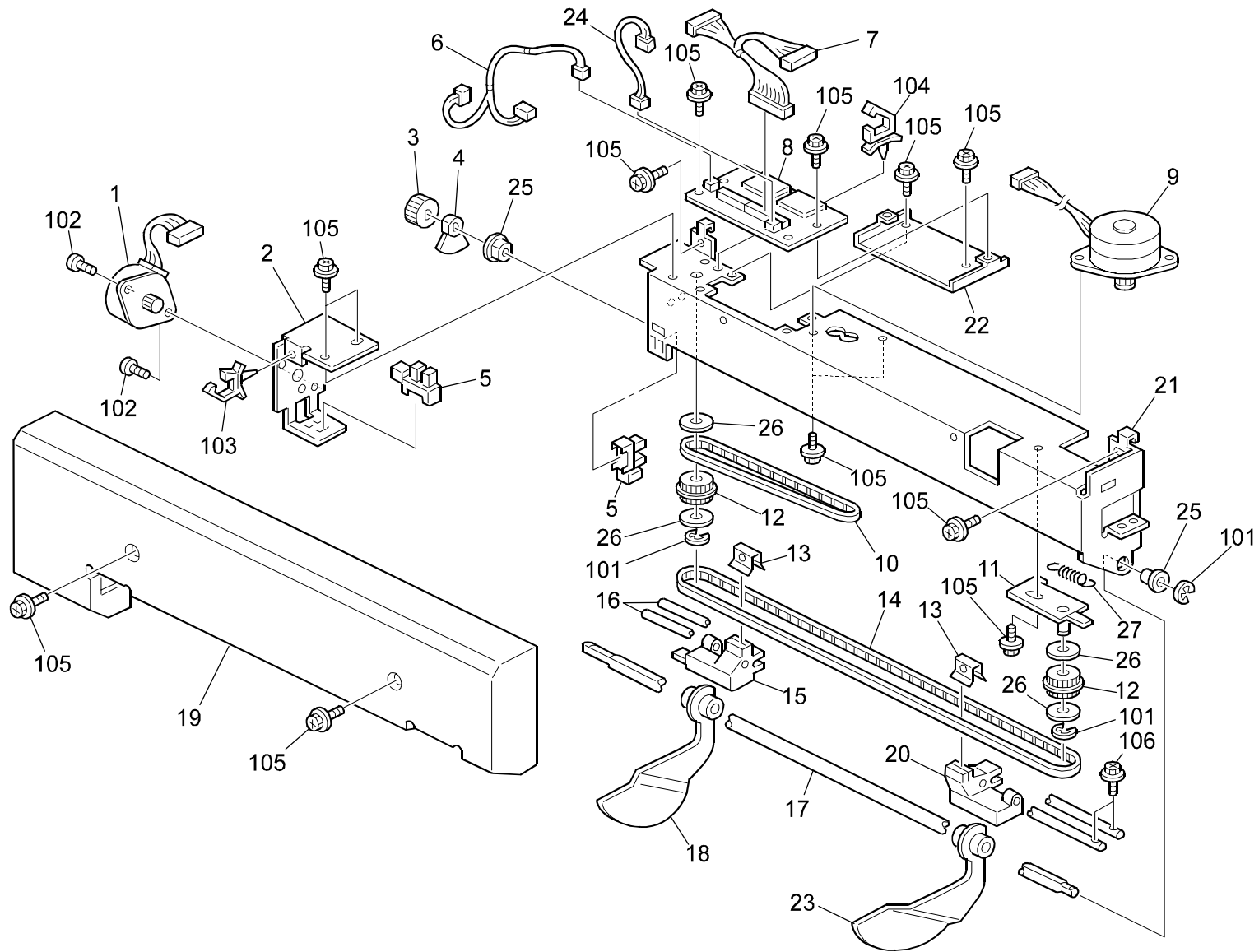
### **PARTS CATALOG**

This catalog gives the numbers and names of parts on this machine.

1.JOGGER UNIT (B513) .....	2
<b>PARTS INDEX .....</b>	<b>5</b>

**April ,8 ' 2005**

# 1.JOGGER UNIT (B513)



## 1.JOGGER UNIT (B513)

Index No.	Part No.	Description	Q'ty Per Assembly
1	AX05 0160	Stepper Motor - DC 20W	1
2	B513 1135	Bracket:Drive:Jogger:Take Shejter	1
3	B478 3522	Gear:Z35	1
4	B513 1122	Feeler:Take Shejter:Jogger	1
5	AW02 0086	Photointerruptor	2
6	B513 5200	Harness:Sensor:Shift:Jogger:Option	1
7	B513 5210	Harness:Motor:Shift:Jogger:Option	1
8	B513 5100	PCB:Shift:Jogger	1
9	AX04 0096	Stepping Motor - DC 18W	1
10	B513 1165	Timing Belt:B40S2M316	1
11	B513 1161	Bracket:Tightener:Drive:Jogger	1
12	B513 1154	Pulley:T30:S2M	2
13	A300 3634	Spring Plate - Timing Belt	2
14	B513 1166	Timing Belt:B40S2M740	1
15	B513 1112	Holder:Jogger Fence:Inner Back	1
16	B513 1115	Shaft:Slide	2
17	B513 1121	Shaft:Jogger Fence:Moveable	1
18	B513 2110	Jogger Fence:Front:Ass'y	1
19	B513 1171	Cover:Jogger	1
20	B513 1111	Holder:Jogger Fence:Front	1
21	B513 1151	Frame:Jogger:Uniform:Ass'y	1
22	B513 1155	Bracket:Guard:PCB	1
23	B513 2120	Jogger Fence:Inner Back:Ass'y	1
24	B513 5220	Harness:Shift:Jogger:Connecting	1
25	5053 0447	Bushing - 6mm	2
26	B478 3569	Spacer	4
27	5442 4121	Spring - Oil Blade	1

Index No.	Part No.	Description	Q'ty Per Assembly
101	0720 0040E	Retaining Ring - M4	
102	0313 0040N	Philips Pan Head Screw - M3x4	
103	1105 0511	Harness Clamp - LWS-0306ZC	
104	1105 0328	Harness Clamp - ES-0505	
105	0451 3006N	Tapping Screw - M3x6	
106	0451 3008N	Tapping Screw - M3x8	

# Parts Index

## Parts Index

Part No.	Description	Page and Index No.
B513 1111	Holder:Jogger Fence:Front	3 - 20
B513 1112	Holder:Jogger Fence:Inner Back	3 - 15
B513 1115	Shaft:Slide	3 - 16
B513 1121	Shaft:Jogger Fence:Moveable	3 - 17
B513 1122	Feeler:Take Shejter:Jogger	3 - 4
B513 1135	Bracket:Drive:Jogger:Take Shejter	3 - 2
B513 1151	Frame:Jogger:Uniform:Ass'y	3 - 21
B513 1154	Pulley:T30:S2M	3 - 12
B513 1155	Bracket:Guard:PCB	3 - 22
B513 1161	Bracket:Tightener:Drive:Jogger	3 - 11
B513 1165	Timing Belt:B40S2M316	3 - 10
B513 1166	Timing Belt:B40S2M740	3 - 14
B513 1171	Cover:Jogger	3 - 19
B513 2110	Jogger Fence:Front:Ass'y	3 - 18
B513 2120	Jogger Fence:Inner Back:Ass'y	3 - 23
B513 5100	PCB:Shift:Jogger	3 - 8
B513 5200	Harness:Sensor:Shift:Jogger:Option	3 - 6
B513 5210	Harness:Motor:Shift:Jogger:Option	3 - 7
B513 5220	Harness:Shift:Jogger:Connecting	3 - 24

Part No.	Description	Page and Index No.
A300 3634	Spring Plate - Timing Belt	3 - 13
B478 3522	Gear:Z35	3 - 3
B478 3569	Spacer	3 - 26

Part No.	Description	Page and Index No.
AW02 0086	Photointerruptor	3 - 5
AX04 0096	Stepping Motor - DC 18W	3 - 9
AX05 0160	Stepper Motor - DC 20W	3 - 1

Part No.	Description	Page and Index No.
0313 0040N	Philips Pan Head Screw - M3x4	3 -102
0451 3006N	Tapping Screw - M3x6	3 -105
0451 3008N	Tapping Screw - M3x8	3 -106
0720 0040E	Retaining Ring - M4	3 -101
1105 0328	Harness Clamp - ES-0505	3 -104
1105 0511	Harness Clamp - LWS-0306ZC	3 -103

Part No.	Description	Page and Index No.
5053 0447	Bushing - 6mm	3 - 25
5442 4121	Spring - Oil Blade	3 - 27

Part No.	Description	Page and Index No.